

ITEX

→ **Gasketed plate heat exchangers**

Precision in heat exchange

For sustainable exchanges ...

→ ITEX the experts range

Controlled heat exchange

Thanks to their excellent heat-transfer coefficients and their slim design, Thermofin's gasketed plate heat exchangers have established themselves as an alternative to Shell and Tube heat exchangers in many fields. Thermofin reasserts its expertise as a manufacturer with the ITEX range, with capacities ranging from kilowatts to a number of megawatts.

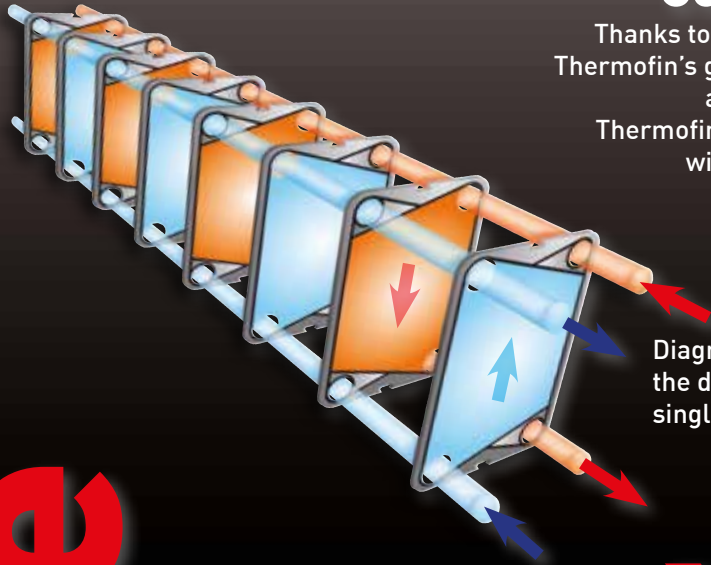


Diagram illustrating the direction of flow in a single-pass exchanger.

→ Multiple uses

ITEX heat exchangers can be used for many applications, from heating to cooling.

→ Cooling

- › Oil cooling
- › District cooling sub-stations
- › Marine, sea water applications
- › Industrial processes

→ Heating

- › Heat recovery on corrosive agent
- › Domestic water heating
- › Geothermal, solar, swimming-pool
- › Greenhouses
- › District heating
- › Industrial processes

Expertise

Selection

➔ From selection to heat transfer



Ultra-exact selection

Validated by our partner's Research & Innovation Centre, the ELSA selection software is based on a powerful thermal design engine. The compatibility of fluids and materials is ensured by a continuously enriched database.

Thermofin's range of heat exchangers is highly modular. To determine which models are exactly suited to your needs, the ELSA software analyses your thermal needs and allowable pressure losses for fluids. This is primordial during selection as it has an impact on plate selection and, thus, on the heat transfer area.



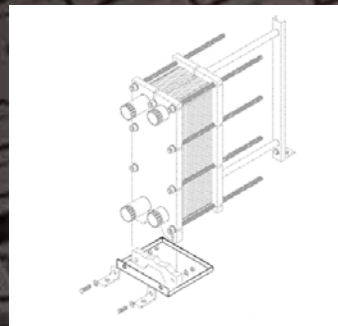
Thermofin guarantees the thermal performance of the exchangers it selects.

➔ Different options are available for various applications

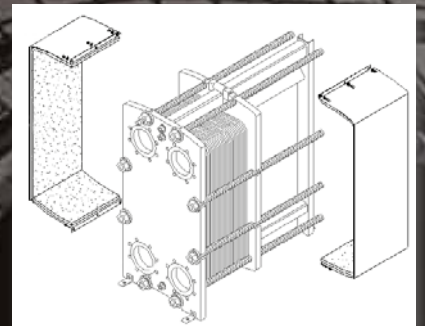
Cold insulation



Condensate draintray



Hot insulation



- And also
- › Shroud
 - › ATEX version for explosive area
 - › Stainless steel frame

DISTRICT COOLING



OFFICES



DISTRICT HEATING

GEOTHERMAL ENERGY
SOLAR ENERGY



INDUSTRY

Range

→ ITEX the range

The ITEX range has been developed to meet your most exacting needs. Thermofin has an extensive stock of plates and holds complete control over the design, assembly and quality management related to the construction of the ITEX range.

1 1/4"

90 USGPM

19 m³/h



ITEX

2

4

8

2"

275 USGPM

63 m³/h



7

16

26

2 1/2"

350 USGPM

80 m³/h

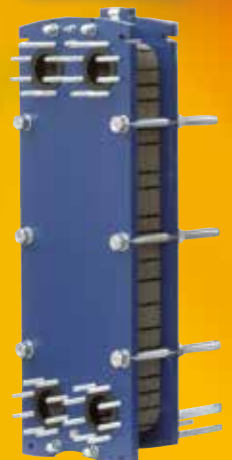


11

2 1/2"/3"

350 USGPM

80 m³/h



18

Easy-to-use systems:

- Side-removable plates
- "Plug-in" gaskets
- Stainless steel guide bar for easy and accurate alignment of plates
- One-person tightening
- Many connection possibilities

Choice of materials

Plate materials	Gasket materials
304 s/steel	NBR
316L s/steel	EPDM
254 SMO	EPDM Prx
Titanium (Gr.1)	FKM VITON®

The materials, patterns and thicknesses of plates are selected to ensure safety and longevity.

The patented "Plug-in" gasket design permits easy installation and removal of plate gasket for enhanced maintenance functionality!



Sideways plate extraction:
Frame disassembling no longer required to remove a plate!



Tie rods side extraction:
easy and fast!

6"

1700 USGPM

380 m³/h

8"

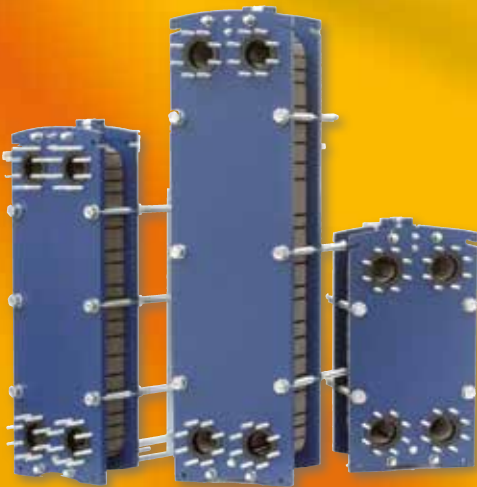
3500 USGPM

800 m³/h

4"

1000 USGPM

240 m³/h



30 45 70



40 60 90



65 99

→ Beyond exchange

→ Quality / reliability

Whatever your application is, you can rely on Thermofin as a quality partner able to deliver equipment certified by ASME or DERK NORSEK VERITAS and one that will present you with a number of proposals for your consideration.



The unit assembly is another crucial step in the quality of the product. That's why Thermofin emphasizes employee training.

→ Scalability



AUREPLAK model developed specially to be inserted between a heat pump and an underground well.



→ Services

With our enormous stock of plates and gaskets, you can be sure that you will benefit from among the fastest delivery times in the industry.

Exchange



Heat exchange is Thermofin's business

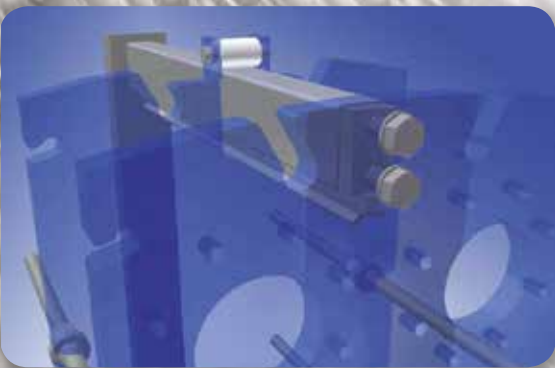
Our experts and networks place Thermofin's know how, technologies and products within reach of customers throughout the world.

Thermofin : naturally at the heart of heat exchange.

Our speciality:
heat transfer



Our business:
energy
optimisation



**Our competitive
edge:**
innovation

Our strength:
our
customers



Business



The heat exchange specialist

Thermofin



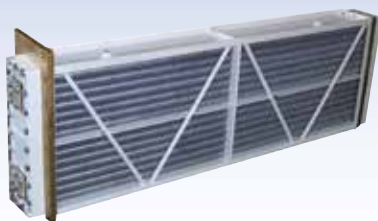
Since 1993, Thermofin has designed, manufactured and marketed a large range of high quality exchangers for industrial processes. Over the years, Thermofin has become one of North America's leading name in thermal exchange. Through its expertise and its dedicated workforce, Thermofin will always offer you the right exchanger: the one for sustainable exchanges ...



→ EXEL :
Brazed plate heat exchangers



→ POWERFIN :
Extruded aluminum finned tubes



→ ELECTRA :
Industrial heat exchanger



→ CALEOS :
Shell & Tube heat exchanger

47, Marie-Victorin Blvd. Candiac
Quebec, Canada
J5R 1B6
Tel.: +1 450-444-4405
Fax: +1 450-444-7745
E-mail: thermofin@thermofin.net
www.thermofin.net



This document is not legally binding. As part of its policy of continual improvement, Thermofin reserves the right to make any technical modifications it feels necessary without prior notification.